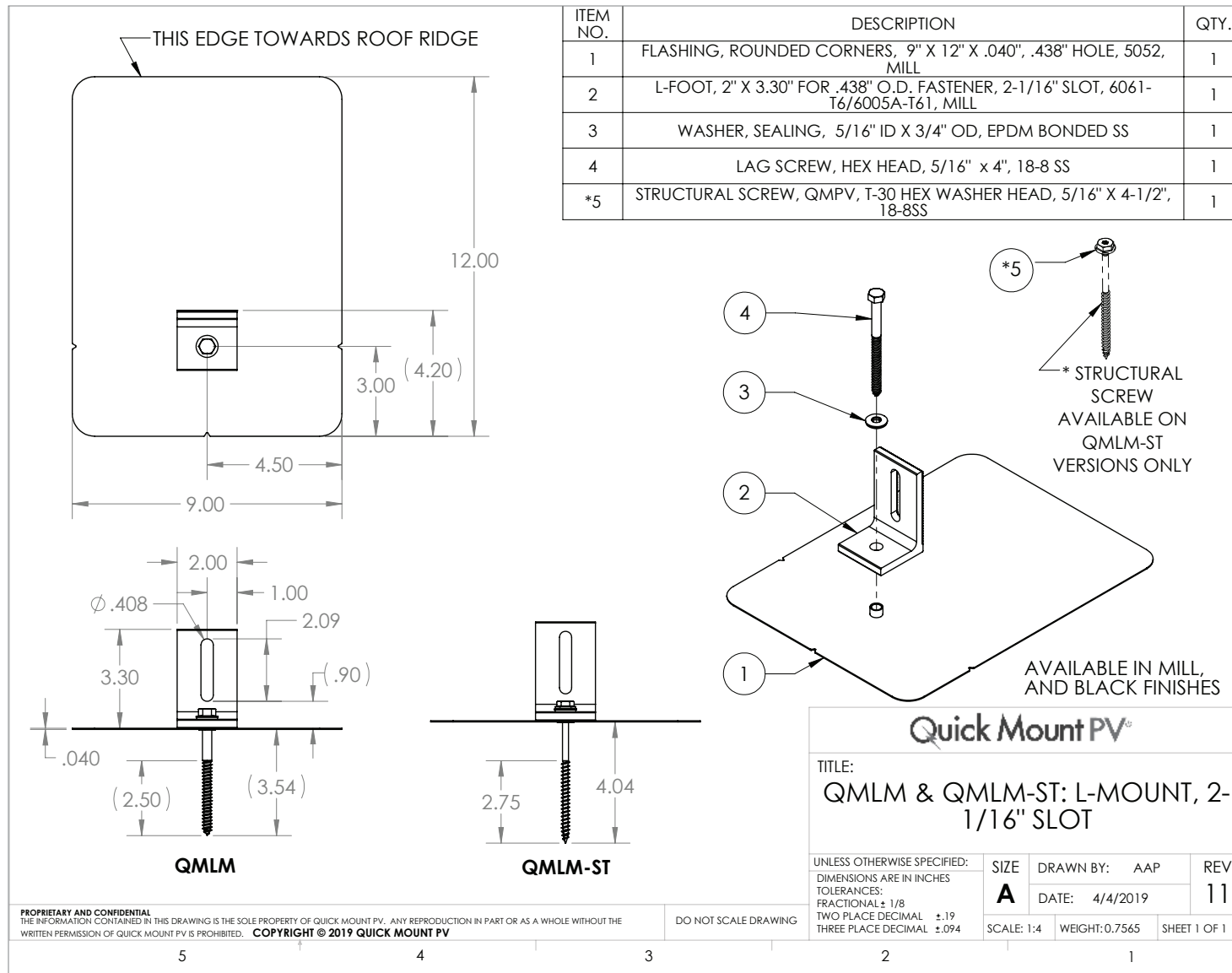


# L-Mount | QMLM / QMLM-ST

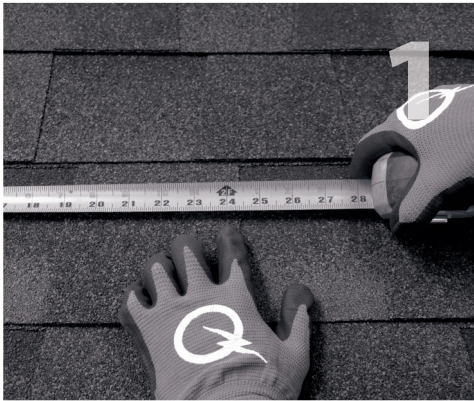
Elevated Water Seal Technology®



# L-Mount Installation Instructions

**Installation Tools Required:** tape measure, roofing bar, chalk line, stud finder, caulking gun, sealant compatible with roofing materials, drill with 7/32" or 1/8" bit, drill or impact gun with 1/2" socket.

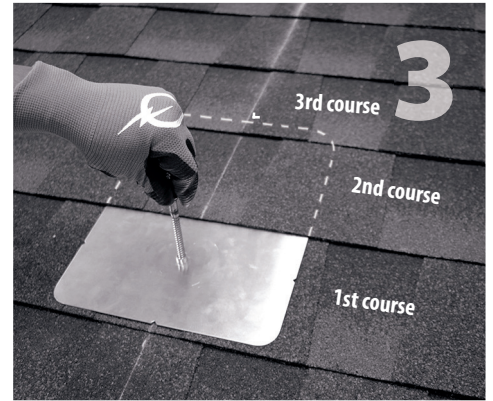
**WARNING:** Quick Mount PV products are NOT designed for and should NOT be used to anchor fall protection equipment.



1 Locate, choose, and mark centers of rafters to be mounted. Select the courses of shingles where mounts will be placed.



2 Carefully lift composition roof shingle with roofing bar, just above placement of mount. Remove nails as required and backfill holes with approved sealant. See "Proper Flashing Placement" on next page.



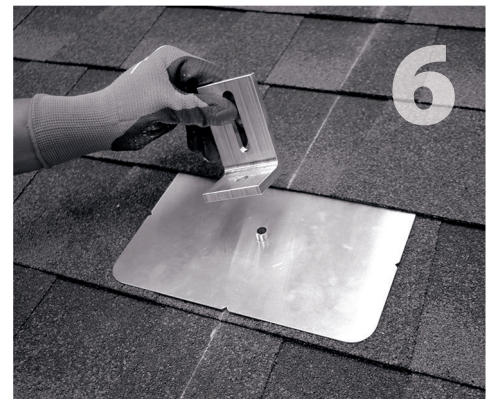
3 Insert flashing between 1st and 2nd course. Slide up so top edge of flashing is at least 3/4" higher than the butt-edge of the 3rd course and lower flashing edge is above the butt-edge of 1st course. Mark center for drilling.



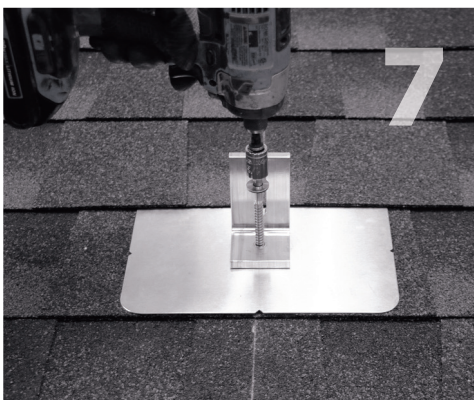
4 If attaching with lag bolt use a 7/32" bit (Lag). Use a 1/8" bit (ST) for attaching with the structural screw. Drill pilot hole into roof and rafter, taking care to drill square to the roof. Do not use mount as a drill guide. Drill a 2" deep hole into rafter.



5 Clean off any sawdust, and fill hole with sealant compatible with roofing materials.



6 Place L-foot onto elevated flute and rotate L-foot to desired orientation.



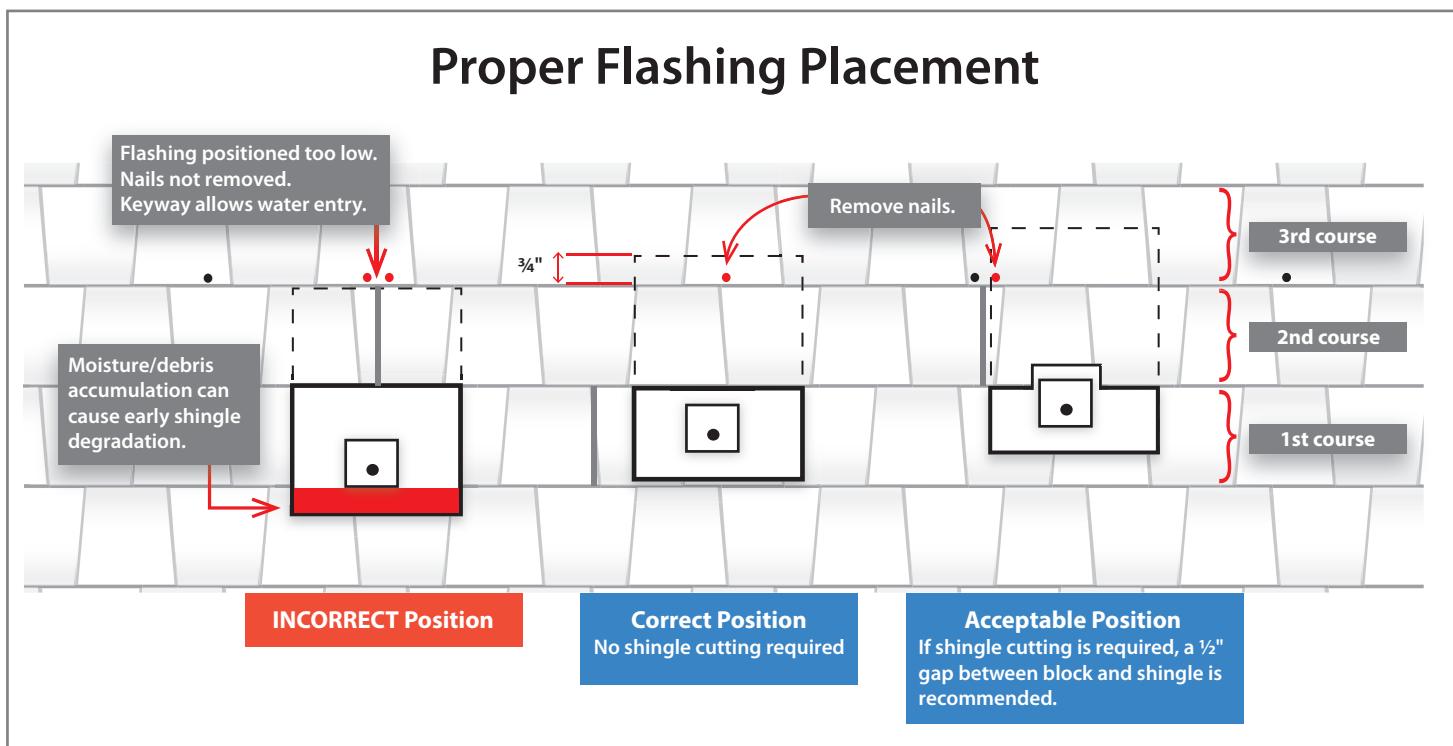
7 Prepare lag bolt or structural screw with sealing washer. Using a 1/2-inch socket on an impact gun, drive prepared lag bolt through L-foot until L-foot can no longer easily rotate. **DO NOT over-torque.** NOTE: Structural screw can be driven with T-30 hex head bit.



8 You are now ready for the rack of your choice. Follow all the directions of the rack manufacturer as well as the module manufacturer. NOTE: Make sure top of L-Foot makes solid contact with racking.

All roofing manufacturers' written instructions must also be followed by anyone modifying a roof system. Consult the roof manufacturer's specs and instructions prior to working on the roof.

# Reference and Tips



### Additional tips and information for installing mounts:

- See Quick Tips videos on nail removal, and more at: <http://www.quickmountpv.com/support/videos.html>
- It is not necessary or advisable to use nails or other fasteners to secure the perimeter of the flashing.
- The L-Mount is made to work with standard and high-definition composition/asphalt and wood shingle roofs with 5" to 5-5/8" courses. If the exposed surface of the course exceeds this measurement you may need to use our Classic Shake Mount instead.
- Depending on the season and climate, size and location of seal tabs, and quality of the shingles, the seal tabs that adhere the shingle courses together may not effectively seal the shingles to the flashings. If this is the case, simply add several quarter-sized dabs of manufacturer accepted sealant or asphalt roofing cement, meeting ASTM D 4586 Type II, between the flashing and the shingle above.
- Mounts should not be installed in areas of the roof susceptible to ice damming. Water ponding under the shingles can reach the bolt penetration.
- Take care not to damage the roofing material while working on the roof. Removing stone granules and deforming the shingles in any way can shorten the lifespan of the roofing. The value of the solar array is directly affected by the condition of the roof it is attached to.
- **CAUTION:** Prior to installation, check that proper screw embedment will be achieved for the necessary site load and roofing configurations.





925-478-8269 | [www.quickmountpv.com](http://www.quickmountpv.com) | [info@quickmountpv.com](mailto:info@quickmountpv.com)  
2700 Mitchell Dr. | Walnut Creek, CA 94598

© 2019 by Quick Mount PV. All rights reserved.